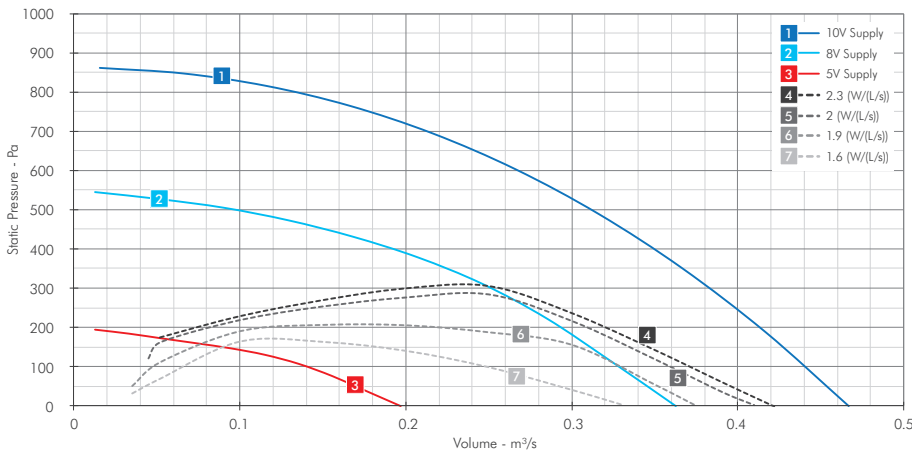


PREMA330

The PREMA330 unit is optimised for any commercial building services application covering an airflow envelope of 0.156 – 0.383 m³/s at 75Pa ESP (low pressure duct systems). Overall unit SFP calculated with ISO ePM₁ 55% (F7) / ISO ePM₁₀ 55% (M5) filters under clean filter conditions.



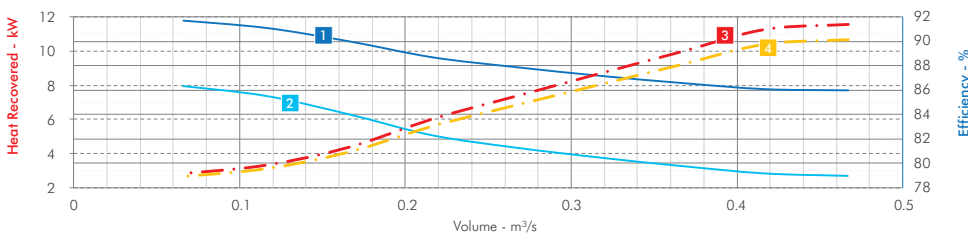
Airflow Performance Curve



Key Features

- Heat / Coolth Recovery
- Dual Condensate Tray
- Low energy consumption and quiet EC fans
- Counterflow heat exchanger offering high thermal energy recovery
- 100% motorised bypass damper
- Fine particulate filters fitted as standard
- ErP 2018 compliant
- Demand control options with BMS, CO₂ or constant pressure sensors
- Airflow balancing allows individual fan control and ensures a balanced supply and extract

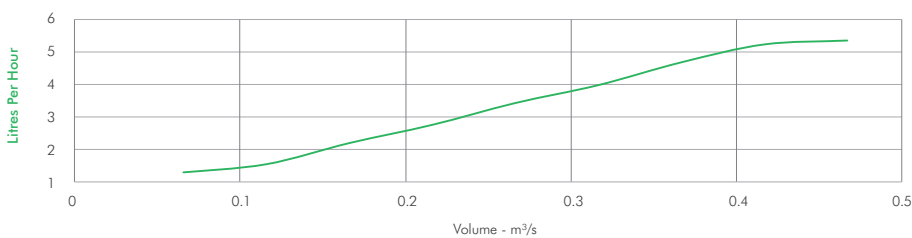
Heat Exchanger Efficiency & Energy Recovery



Dry performance based on EN 308

Wet performance based on -5°C supply 95% RH, +21°C extract 50% RH

Condensate Rate



Condensate

Wet Performance based on -5°C supply 95% RH, +21°C extract 50% RH

Performance Data

Control Voltage	Speed r/min	Airflow SFP	Airflow m ³ /s @ Static Pressure Pa												Input kW	Peak Amps
			0	25	50	75	100	150	200	250	300	350	400	500		
10V	3082	m ³ / s	0.467	0.460	0.454	0.447	0.441	0.427	0.413	0.398	0.383	0.367	0.349	0.312	1.103	4.82
		W / (L/s)	2.35	2.39	2.42	2.45	2.49	2.56	2.64	2.72	2.81	2.91	3.03	3.30		
8V	2446	m ³ / s	0.362	0.353	0.344	0.336	0.328	0.311	0.293	0.273	0.251	0.224	0.191	0.095	0.590	2.62
		W / (L/s)	1.63	1.67	1.71	1.75	1.79	1.87	1.96	2.07	2.20	2.40	2.69	4.44		
5V	1454	m ³ / s	0.197	0.183	0.170	0.156	0.140	0.089	-	-	-	-	-	-	0.151	0.7
		W / (L/s)	0.77	0.82	0.87	0.93	1.01	1.42	-	-	-	-	-	-		

Specific Fan Power figures (W / (L/s)) are total for both fans running under clean filter conditions (ref. the building regulations).

Data provided is at standard air density of 1.2 kg/m³. Air Performance: ISO 5801:2007.

Refer to Air Design Ecodesign document for data in accordance with ErP 1253/2014 of the European Parliament. Product category is NRVU:BVU. Measurement category used to determine energy efficiency: D.

A variable speed drive is integrated within the fan.

Peak Amps @ 230V / 1PH / 50Hz.

Sound Data

Control Voltage	Speed r/min	Location	Sound Power Level dBW @ Octave Band Hz									dBA @ 3m
			63 Hz	125 Hz	250 Hz	500 Hz	1k Hz	2k Hz	4k Hz	8k Hz	Total dB	
10V	3082	Intake (T21)	79	74	75	73	68	65	65	61	82	54
		Supply (T22)	74	64	56	60	58	50	39	30	75	41
		Extract (T11)	81	77	77	73	67	66	67	62	84	55
		Exhaust (T12)	75	69	57	54	51	48	44	40	76	38
		Break Out	70	67	65	55	47	45	42	35	73	39
8V	2446	Intake (T21)	74	70	75	66	61	59	59	54	79	49
		Supply (T22)	68	59	57	51	52	45	33	28	69	35
		Extract (T11)	77	73	75	67	62	60	61	56	80	50
		Exhaust (T12)	71	66	54	48	46	42	35	32	72	34
		Break Out	65	62	66	45	40	39	36	29	69	37
5V	1454	Intake (T21)	66	69	60	53	49	46	44	39	71	37
		Supply (T22)	59	54	41	38	40	33	25	24	60	24
		Extract (T11)	67	70	60	54	51	47	46	40	72	38
		Exhaust (T12)	61	55	45	34	33	30	25	24	62	23
		Break Out	55	57	50	38	28	26	22	19	60	24

The overall A-weighted sound pressure level is at a distance of 3m with spherical free-field propagation. It is expressed in dB re-20µPa and is presented for comparative purposes only. Tests and preparation of the sound data have been carried out in accordance with BS 848-2:1985 (ducted) and **independently tested** to ISO 3741:2010 (breakout).

The Sound Power Level Spectra are in dB re-1pW.

Dimensional Data

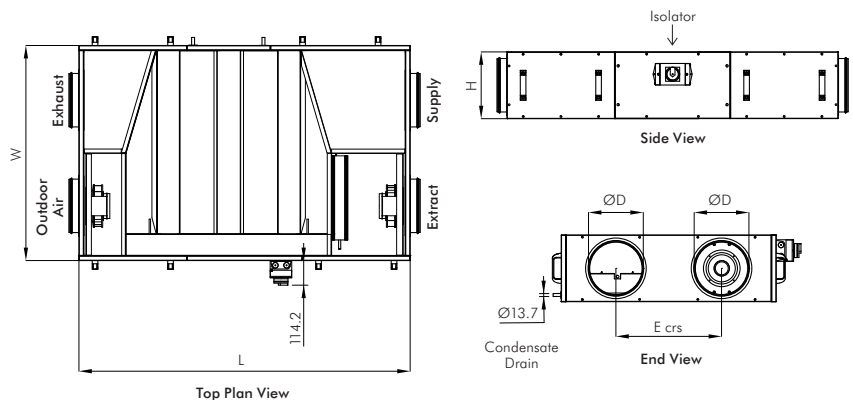
Unit Size	L	W	H*	D	E	Weight kg
PREMA330	1914	1286	363	315	610	194

All dimensions are expressed in mm.

*Overall height includes unit mounted condensate drain tray.

Ordering Stock Codes

Product Stock Code	Product Description
7835824-330	PREMA Size 330
7835824-330CP	PREMA Size 330 Constant Pressure Control

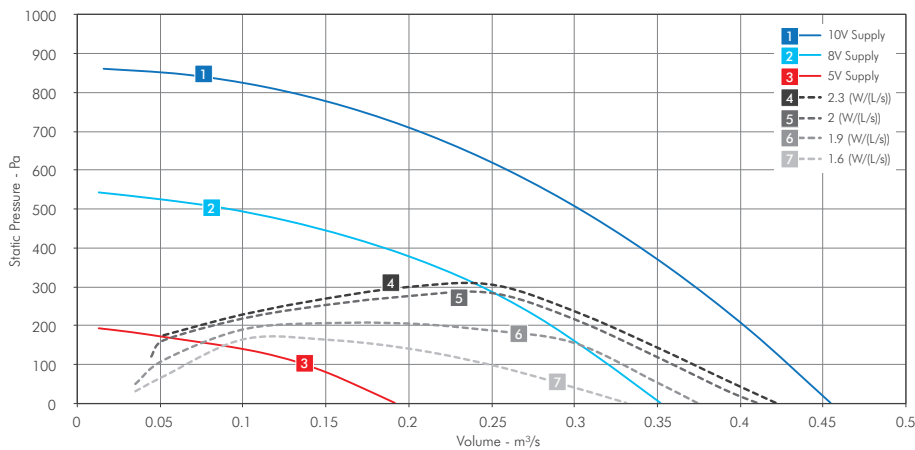


PREMA330+

The PREMA330+ have evolved to deliver comfort ventilation with added heating capabilities and a dedicated Kinairtico Mini controller for superior demand controlled ventilation and BMS connectivity.



Airflow Performance Curve - Water Heater Version



+Features

In addition to the features listed for PREMA330, the PREMA330+ includes:

- **Heating** (Electric or Hot Water)
- **Kinairtico0 / Kinairtico Mini**

Heating Loads – Performance Table

+Heating	Electric Heater Battery (kW)*	Hot Water Coil (kW)	Fluid Data		
			Internal Volume (L)	Flow Rate (L/s)	Flow / Return temps. (°C)
PREMA330+	2.0	5.61	0.35	0.07	80/60

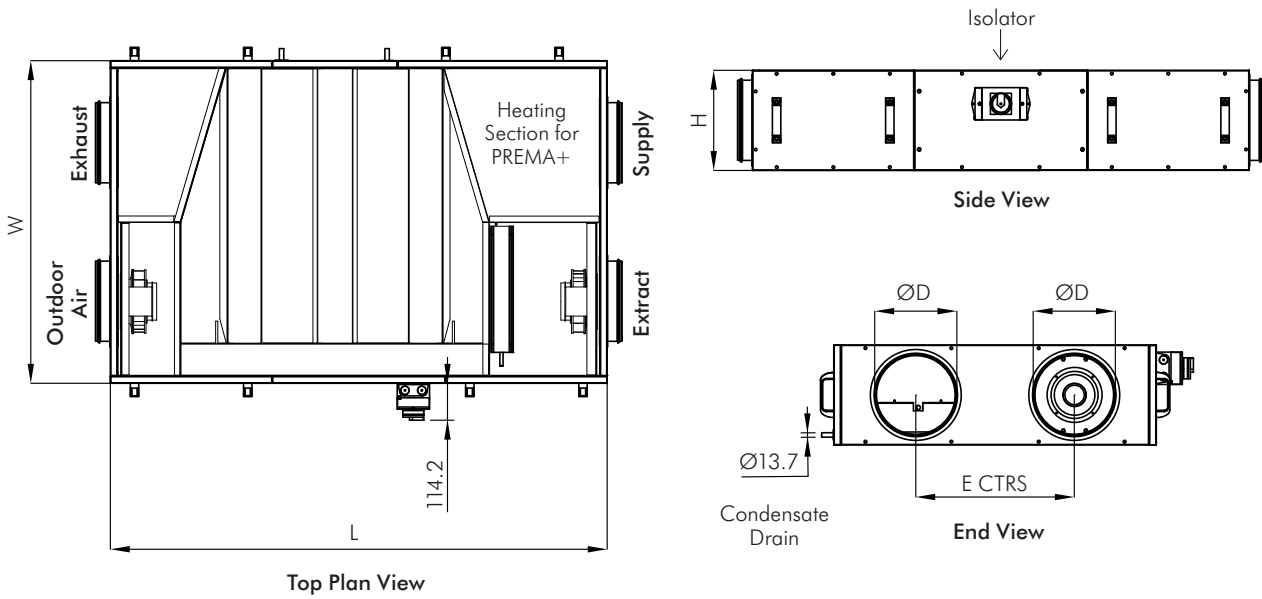
*1phase modulating heater battery.

Ordering Stock Codes

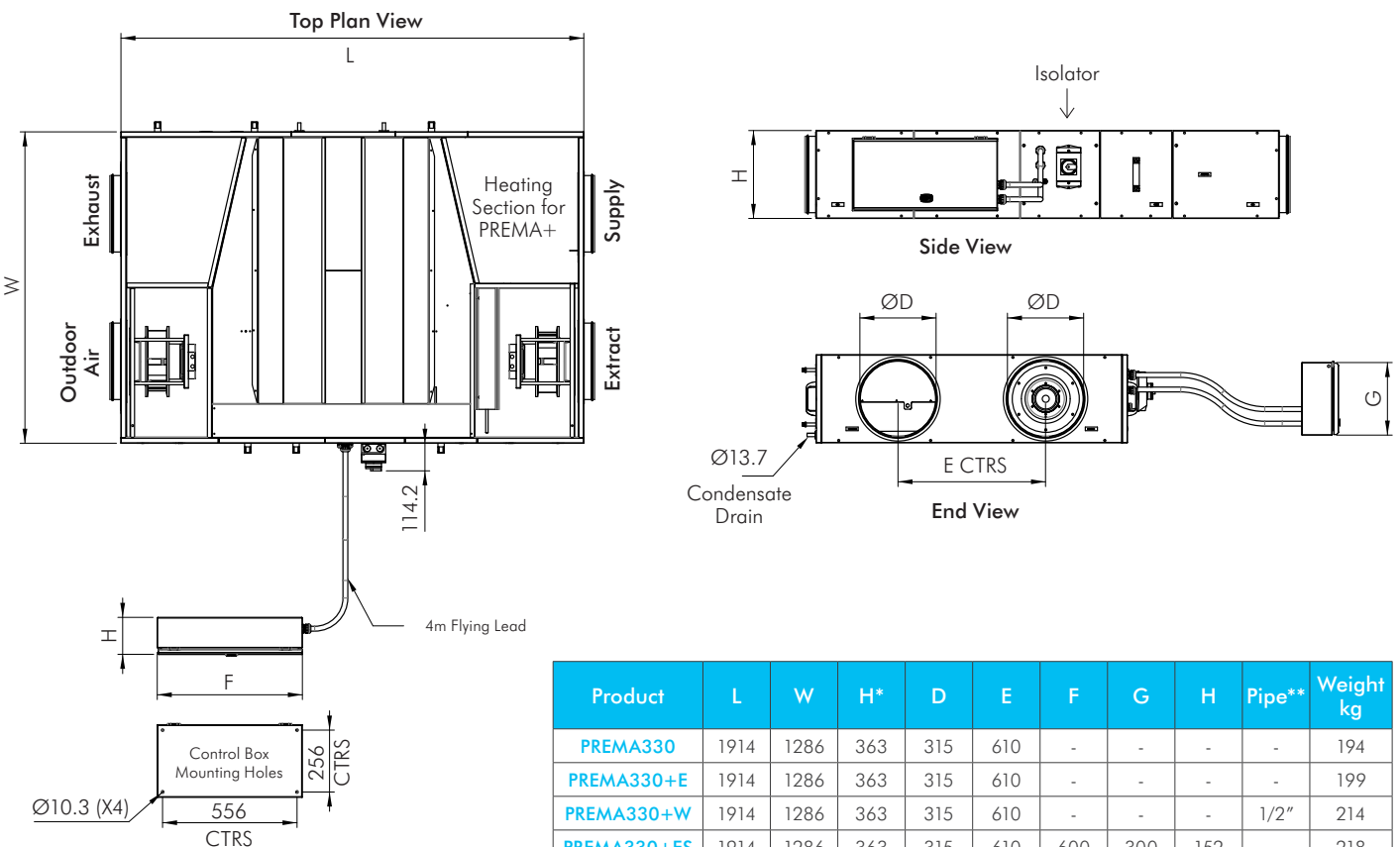
Product Stock Code	Product	Product Description
7835824-330E	PREMA330+E	Electric heater version (Kinairtico0 control)
7835824-330ES	PREMA330+ES	Electric heater version (Kinairtico Mini control)
7835824-330W	PREMA330+W	Water heater version (Kinairtico0 control)
7835824-330WS	PREMA330+WS	Water heater version (Kinairtico Mini control)
7835824-330ECP	PREMA330+ECP	Electric heater version (Kinairtico0 control) constant pressure control
7835824-330ESCP	PREMA330+ESCP	Electric heater version (Kinairtico Mini control) constant pressure control
7835824-330WCP	PREMA330+WCP	Water heater version (Kinairtico0 control) constant pressure control
7835824-330WSCP	PREMA330+WSCP	Water heater version (Kinairtico Mini control) constant pressure control

Dimensional Data

PREMA330, PREMA330+E & PREMA330+W



PREMA330+ES & PREMA330+WS



Product	L	W	H*	D	E	F	G	H	Pipe**	Weight kg
PREMA330	1914	1286	363	315	610	-	-	-	-	194
PREMA330+E	1914	1286	363	315	610	-	-	-	-	199
PREMA330+W	1914	1286	363	315	610	-	-	-	1/2"	214
PREMA330+ES	1914	1286	363	315	610	600	300	152	-	218
PREMA330+WS	1914	1286	363	315	610	600	300	152	1/2"	234

All dimensions are expressed in mm.

*Overall height includes unit mounted condensate drain tray.

**LPHW Coil Header dimension.